



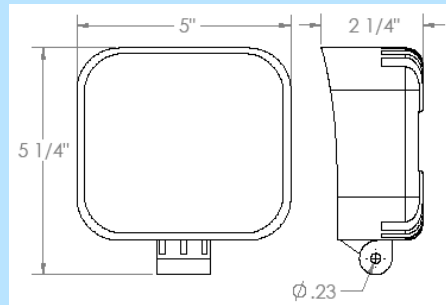
UNIQ L.E.D. Lighting

2150 Boggs Rd. Suite 350 Duluth, Ga. 30096

PH. 770-418-1600 Fx. 770-795-9977 (Uniqtechinc.com)



Floodlight NEW!



Mechanical Design



- Low power consumption, **GREEN** design
- Hi-Reliability, Long Life Span
- Lamp contains 9 Super-Bright LEDs
- Aluminum body and fins help dissipate excess heat
- Lamp can be terminated per customer specification
- A sealed polycarbonate lens and aluminum body form a weatherproof unit which attaches using a mounting bracket
- Mounting bracket and hardware provided

Mechanical Specifications	PN: UQ-22807		
Available Faces	White		
Wire Termination	Per Customer Specification		
Dimensions	Length	Height	Depth
	5"	5 1/4"	2 1/4"
Electrical Specifications			
Voltage	12-36VDC		
Power Consumption @ 12VDC	9 Super Bright LED's		
	18 Watt @ 1.5A		
Regulatory Approvals			
	N/A		

