



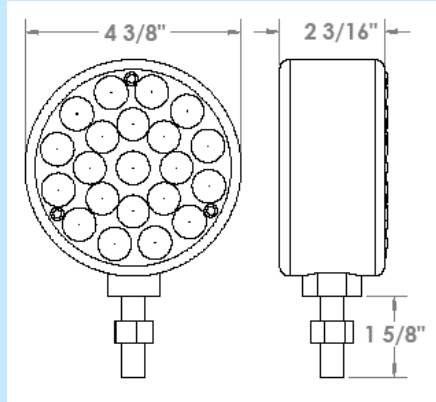
UNIQ L.E.D. Lighting

2150 Boggs Rd. Suite 350 Duluth, Ga. 30096

PH. 770-418-1600 Fx. 770-795-9977 (Uniqtechinc.com)



Double Faced Turn Signal



Mechanical Design



- Low power consumption, **GREEN** design
- Hi-Reliability, Long Life Span
- Each face contains 21 Super-Bright LEDs
- Lamp has two brightness levels
- A sealed polycarbonate lens and base forms a weatherproof unit which attaches to a chrome housing with three screws per side
- Focused lenses for more direct light output
- Lamps can be terminated per customer specification
- Mounting hardware provided

Mechanical Specifications	PN: UQ-22931		
	UQ-22931AA	UQ-22931AR	UQ-22931RR
Available Faces	Amber-Amber	Amber- Red	Red-Red
Wire Termination	Per Customer Specification	Per Customer Specification	Per Customer Specification
Dimensions	Height	Depth	Mounting Post
	4 1/2"	2 3/16"	1 5/8"
Electrical Specifications			
Voltage	8-14VDC	8-14VDC	8-14VDC
Power Consumption @ 12VDC	Dim		Bright
	0.5 Watts @ 0.04A		6.25 Watts @ 0.51A
Regulatory Approvals			
	SAE/DOT		



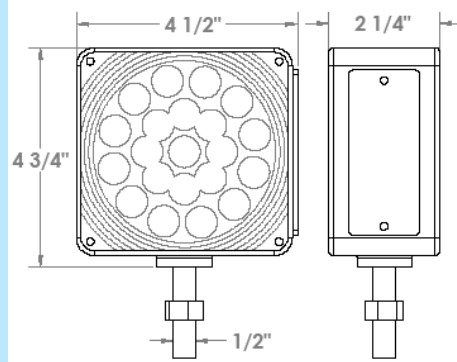


UNIQA L.E.D. Lighting

2150 Boggs Rd. Suite 350 Duluth, Ga. 30096

PH. 770-418-1600 Fx. 770-795-9977 (Uniqtechinc.com)

LED Double Face Turn Signal



Mechanical Design



- Low power consumption, **GREEN** design
- Hi-Reliability, Long Life Span
- Amber and red face contains 21 Super-Bright LEDs
- Side marker face contains 3 Super-Bright LEDs
- Multi-reflective design creates a brilliant and attractive look
- Lamps can be terminated per customer specification
- Lamp functions as a combination park, turn, side marker and reflector.
- A sealed polycarbonate lens and base forms a weatherproof unit which attaches to a chrome housing with four screws per side
- Mounting hardware provided (Available with two mounting studs)

Side Marker Lamp



Mechanical Specifications	PN: UQ-22935		
	UQ-22935AA	UQ-22935AR	UQ-22941RR
Available Faces	Amber-Amber	Amber- Red	Red-Red
Wire Termination	Per Customer Specification	Per Customer Specification	Per Customer Specification
Dimensions	Height	Width	Depth
	4 3/4"	4 9/16"	2 7/16"
Electrical Specifications			
Voltage	8-14VDC	8-14VDC	8-14VDC
Power Consumption @ 12VDC	Dim		Bright
	1 Watt @ 0.08A		5.16 Watt @ 0.43A
Regulatory Approvals			
	SAE/DOT		



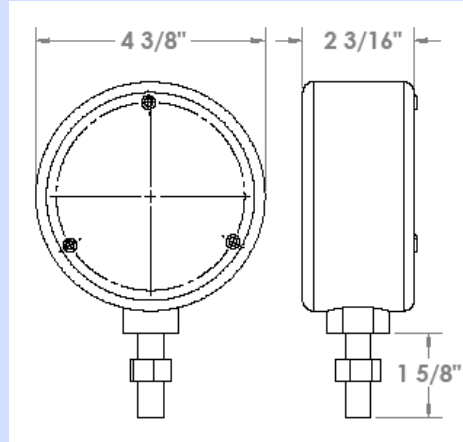


UNIQA L.E.D. Lighting

2150 Boggs Rd. Suite 350 Duluth, Ga. 30096

PH. 770-418-1600 Fx. 770-795-9977 (Uniqtechinc.com)

Double Face Turn Signal



Mechanical Design



- Low power consumption, **GREEN** design
- Hi-Reliability, Long Life Span
- Each face contains 18 Super-Bright LEDs
- Lamp has two brightness levels
- A sealed polycarbonate lens and base forms a weatherproof unit which attaches to a chrome housing with three screws per side
- Multi-reflective design creates a brilliant and attractive look
- Lamps can be terminated per customer specification
- Mounting hardware provided

Mechanical Specifications	PN: UQ-22939		
Available Faces	Amber-Amber	Amber- Red	Red-Red
Wire Termination	Per Customer Specification	Per Customer Specification	Per Customer Specification
Dimensions	Height	Depth	Mounting Post
	4 1/2"	2 3/16"	1 5/8"
Electrical Specifications			
Voltage	8-14VDC	8-14VDC	8-14VDC
Power Consumption @ 12VDC	Dim		Bright
	.5 Watts @ 0.04A		6.1 Watts @ 0.51A
Regulatory Approvals			
	SAE/DOT		



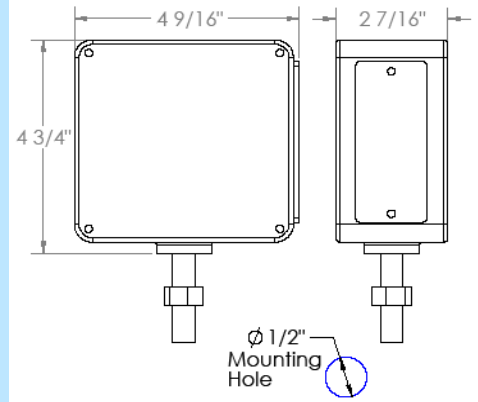


UNIQA L.E.D. Lighting

2150 Boggs Rd. Suite 350 Duluth, Ga. 30096

PH. 770-418-1600 Fx. 770-795-9977 (Uniqtechinc.com)

Double Face Turn Signal



Mechanical Design



- Low power consumption, **GREEN** design
- Hi-Reliability, Long Life Span
- Amber face contains 18 Super-Bright LEDs
- Red face contains 9 Super-Bright LEDs
- Multi-reflective design creates a brilliant and attractive look
- Lamps can be terminated per customer specification
- Lamp functions as a combination park, turn, side marker and reflector.
- A sealed polycarbonate lens and base forms a weatherproof unit which attaches to a chrome housing with four screws per side
- Mounting hardware provided

Side Marker Lamp



Mechanical Specifications	PN: UQ-22941		
	UQ-22941AA	UQ-22941AR	UQ-22941RR
Available Faces	Amber-Amber	Amber- Red	Red-Red
Wire Termination	Per Customer Specification	Per Customer Specification	Per Customer Specification
Dimensions	Height	Width	Depth
	4 3/4"	4 9/16"	2 7/16"
Electrical Specifications			
Voltage	8-14VDC	8-14VDC	8-14VDC
Power Consumption @ 12VDC	Dim		Bright
	1 Watt @ 0.08A		5.16 Watt @ 0.43A
Regulatory Approvals			
	SAE/DOT		

