



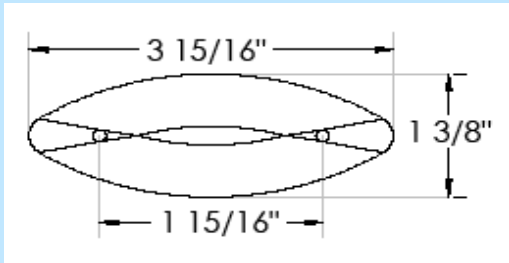
# UNIQA L.E.D. Lighting

2150 Boggs Rd. Suite 350 Duluth, Ga. 30096

PH. 770-418-1600 Fx. 770-795-9977 (Uniqtechinc.com)



## Clearance Marker Short



### Mechanical Design

- Low power consumption, **GREEN** design
- Hi-Reliability, Long Life Span
- Lamp contains 2 Super-Bright LEDs
- Polycarbonate lens and electronics are sealed with epoxy to form a weatherproof unit which is fitted to a Chromed ABS bracket
- Reflective design creates a brilliant and attractive look
- Lamps can be terminated per customer specification
- Mounting hardware provided

Mechanical Specifications	PN: UQ-22322		
	UQ-22322A	UQ-22322R	
Available Faces	Amber	Red	
Wire Termination	Per Customer Specification	Per Customer Specification	
Dimensions	Length	Width	Depth
	3 15/16"	1 3/8"	11/16"
Electrical Specifications			
Voltage	8-14VDC	8-14VDC	
Power Consumption @ 12VDC	Bright		
	0.36 Watt @ 0.03A		
Regulatory Approvals			
	SAE/DOT		





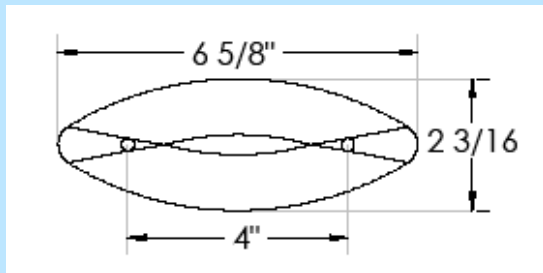
# UNIQ L.E.D. Lighting

2150 Boggs Rd. Suite 350 Duluth, Ga. 30096

PH. 770-418-1600 Fx. 770-795-9977 (Uniqtechinc.com)



## Clearance Marker



### Mechanical Design

- Low power consumption, **GREEN** design
- Hi-Reliability, Long Life Span
- Lamp contains 4 Super-Bright LEDs
- Polycarbonate lens and housing are sonic welded to form a weatherproof unit which is fitted into a chromed ABS bracket
- Reflective design creates a brilliant and attractive look
- Lamps can be terminated per customer specification
- Mounting hardware provided

Mechanical Specifications	PN: UQ-22323		
	UQ-22323A	UQ-22323R	
Available Faces	Amber	Red	
Wire Termination	Per Customer Specification	Per Customer Specification	
Dimensions	Length	Width	Depth
	6 5/8"	2 3/16"	13/16"
Electrical Specifications			
Voltage	8-14VDC	8-14VDC	
Power Consumption @ 12VDC	Bright		
	0.84 Watt @ 0.07A		
Regulatory Approvals			
	SAE/DOT		





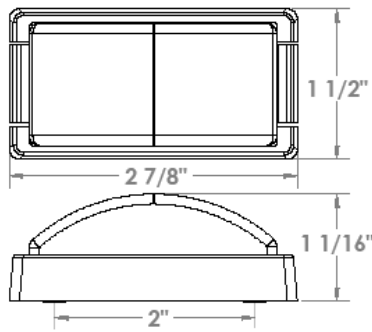
# UNIQU L.E.D. Lighting

2150 Boggs Rd. Suite 350 Duluth, Ga. 30096

PH. 770-418-1600 Fx. 770-795-9977 (Uniqtechinc.com)



## LED Clearance Side Marker



### Mechanical Design

- Low power consumption, **GREEN** design
- Hi-Reliability, Long Life Span
- Lamp contains 3 Super-Bright LEDs
- Polycarbonate lens and housing are sonic welded to form a weatherproof unit which is snapped into a chromed or black ABS bracket
- Multi-Reflective design creates a brilliant and attractive look
- Lamps can be terminated per customer specification
- Mounting hardware and plug provided

Mechanical Specifications	PN: UQ-22336		
	UQ-22336CAK	UQ-22336CRK	
Available Faces	Amber	Red	
Wire Termination	Per Customer Specification		
Dimensions	Length	Width	Height
	2 7/8"	1 1/2"	1 1/16"
Electrical Specifications			
Voltage	8-14VDC		
Power Consumption @ 12VDC	Super Bright		
	0.5 Watts @ 0.04A		
Regulatory Approvals			
	SAE/P2/DOT		





# UNIQ L.E.D. Lighting

2150 Boggs Rd. Suite 350 Duluth, Ga. 30096

PH. 770-418-1600 Fx. 770-795-9977 (Uniqtechinc.com)



## Side Marker Lamp

### Mechanical Design

- Low power consumption, **GREEN** design
- Hi-Reliability, Long Life Span
- Dual-color design contains 2 Super-Bright LEDs
- Polycarbonate lens and housing are sonic welded to form a weatherproof unit which is fitted into a chrome or black ABS bracket
- Lamps can be terminated per customer specification
- Mounting hardware provided
- Patent Pending

Mechanical Specifications	PN: UQ-22336W		
	UQ-22336WCAR	UQ-22336WCAA	UQ-22336WCRR
Available Faces	Red/Amber	Amber/Amber	Red/Red
Wire Termination	Per Customer Specification		
Dimensions	Length	Width	Depth
	66mm	30.5mm	24.8mm
Electrical Specifications			
Voltage	12-24VDC		
Power Consumption @ 12VDC	Bright		
	0.5 Watts @ 0.04A		
Regulatory Approvals			
	ADR/SAE	SAE/P2/DOT	SAE/P2/DOT





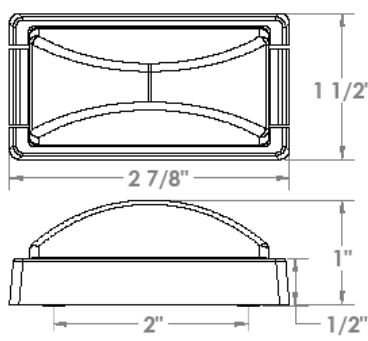
# UNIQA L.E.D. Lighting

2150 Boggs Rd. Suite 350 Duluth, Ga. 30096

PH. 770-418-1600 Fx. 770-795-9977 (Uniqtechinc.com)



## LED Side Marker Lamp



### Mechanical Design

- Low power consumption, **GREEN** design
- Hi-Reliability, Long Life Span
- Light contains 1 Super-Bright LED
- Polycarbonate lens and housing are sonic welded to form a weatherproof unit which is snapped into a chromed or black ABS bracket
- Lamps can be terminated per customer specification
- Mounting hardware and plug provided

Mechanical Specifications	PN: UQ-22351		
	UQ-22351AK	UQ-22351RK	
Available Faces	Amber	Red	
Wire Termination	Per Customer Specification		
Dimensions	Length	Width	Height
	2 7/8"	1 1/2"	1"
Electrical Specifications			
Voltage	8-14VDC		
Power Consumption @ 12VDC	Super Bright		
	0.7 Watts @ 0.06A		
Regulatory Approvals			
	SAE/P2/DOT		

