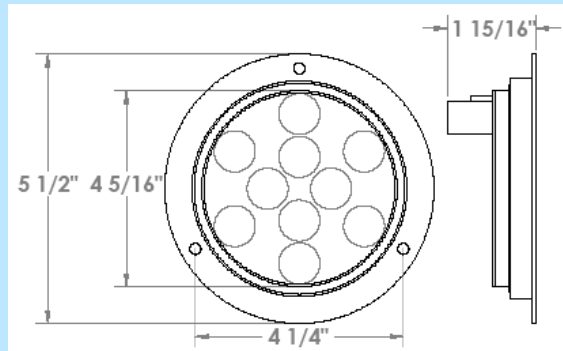




UNIQ L.E.D. Lighting

2150 Boggs Rd. Suite 350 Duluth, Ga. 30096

PH. 770-418-1600 Fx. 770-795-9977 (Uniqtechinc.com)



Mechanical Design

4" Park and Turn Light



- Low power consumption, **GREEN** design
- Hi-Reliability, Long Life Span
- Lamp contains 10 Super-Bright LEDs
- Polycarbonate lens and housing are sonic welded to form a weatherproof unit which is attached with mounting hardware
- Designed to create a brilliant and attractive look
- Available with or without the flange mount also available with rubber grommet
- Lamps can be terminated per customer specification
- Mounting hardware provided

Mechanical Specifications	PN: UQ-22545			
	UQ-22545AK		UQ-22545RK	
Available Faces	Amber		Red	
Wire Termination	Per Customer Specification		Per Customer Specification	
Dimensions	Diameter	Depth	Mounting Holes	
	5 1/2"	1 15/16"	4 1/4"	
Electrical Specifications				
Voltage	8-14VDC		8-14VDC	
Power Consumption @ 12VDC	Stop	Running	Stop	Running
	3.4 W @ 0.28A	.36 W @ 0.03A	3.4 W @ 0.28A	.36 W @ 0.03A
Regulatory Approvals				
	SAE I6P / DOT			

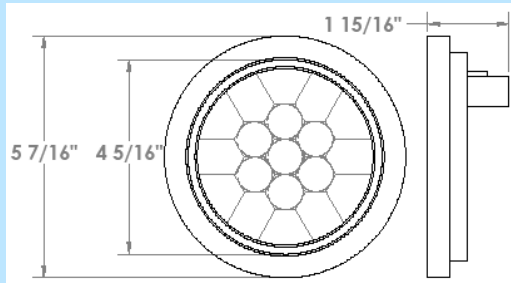




UNIQ L.E.D. Lighting

2150 Boggs Rd. Suite 350 Duluth, Ga. 30096

PH. 770-418-1600 Fx. 770-795-9977 (Uniqtechinc.com)



Mechanical Design

4" Stop, Turn and Tail Light OFF



TAIL



STOP/TURN



- Low power consumption, **GREEN** design
- Hi-Reliability, Long Life Span
- Lamp contains 19 Super-Bright LEDs
- Polycarbonate lens and housing are sonic welded to form a weatherproof unit which is attached with mounting hardware
- Hexagonal Multi-Reflective designed to creates a brilliant and attractive look
- Available with Clear or Red Lens also available with rubber grommet (Shown)
- Lamps can be terminated per customer specification
- Mounting hardware provided

Mechanical Specifications	PN: UQ-22554		
	UQ-22554CRK		
Available Faces	Red		
Wire Termination	Per Customer Specification		
Dimensions	Grommet Diameter	Depth	Lamp Diameter
	5 7/16"	1 15/16"	4 5/16"
Electrical Specifications			
Voltage	8-14VDC		
Power Consumption @ 12VDC	Stop/Turn	Tail	
	4.8 W @ 0.40A	.24 W @ 0.02A	
Regulatory Approvals			
	SAE STI / DOT		

